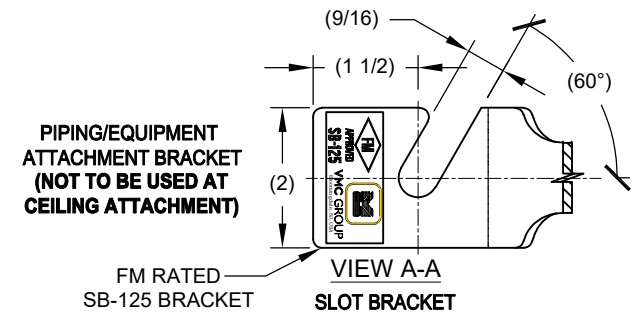
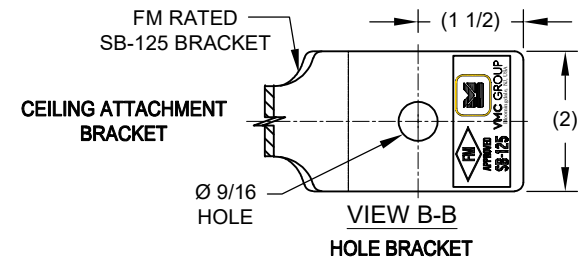
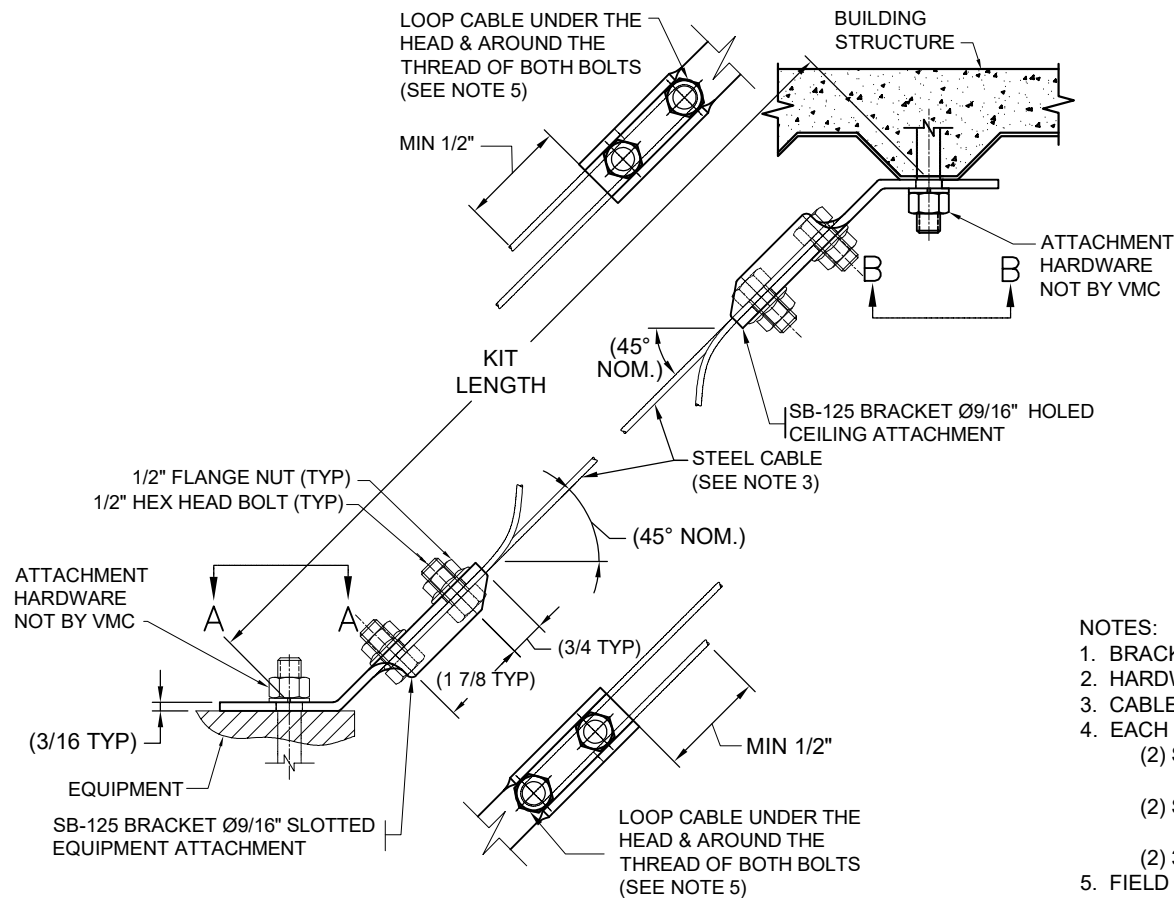


REV.	DESCRIPTION	DATE	BY

KIT PART NUMBER	KIT LENGTH (FT)	CABLE THICKNESS (IN)	MAX. TENSION ALLOWABLE (LBS)	KIT TYPE
SCR-09-07	7	3/32	600	9/16" SLOT / 9/16" HOLE
SCR-09-14	14			
SCR-09-21	21			

- A. RATING AT 45° FOR STEEL ATTACHMENT (LRFD).
- B. RATING AT 45° FOR CONCRETE ATTACHMENT - 3/8" HILTI TZ @ 2-1/2" EMBEDMENT, 4" SLAB MIN - 600#.



- NOTES:
- BRACKET MATERIAL: COLD ROLLED STEEL
 - HARDWARE & BRACKETS CLEAR ELECTRO ZINC PLATED
 - CABLE MATERIAL: CABLE 3/32" 7X19 GALVANIZED BY FOOT
 - EACH KIT CONSISTS OF:
 - (2) SB-125 Ø 9/16" HOLED BRACKETS, WITH EACH BRACKET ASSEMBLY INCLUDING (2) 1/2" BOLTS & (2) 1/2" FLANGE NUTS
 - (2) SB-125 Ø 9/16" SLOTTED BRACKETS, WITH EACH BRACKET ASSEMBLY INCLUDING (2) 1/2" BOLTS & (2) 1/2" FLANGE NUTS
 - (2) 3/32" CABLES CUT TO LENGTH
 - FIELD TORQUE 1/2" FLANGE NUTS TO 35 FT-LBS
- OTHER MATERIALS, COMPOUNDS, OR FINISHES WITH EQUAL OR SUPERIOR PROPERTIES MAY BE SUBSTITUTED AS THEY BECOME AVAILABLE.

CERTIFIED FOR:

JOB NAME: _____

CUSTOMER: _____

CUSTOMER P.O.: _____

SALES ORDER: _____

MODEL SCR-09
SB-125 BRACKETS WITH
3/32 INCH CABLE
SEISMIC RESTRAINT KIT

Bloomingtondale, NJ 07403
Houston, TX 77041

SCALE:	NONE	
SHEET:		
DRAWING NO.:		REVISION